



BEAD
APPLICATOR
MU SERIES

GLUING
SOLUTIONS

MU SERIES

Wide configurable range
Uniformity and accessibility
Optional built-in filter

The Meler hot-melt applicators stand out for their reliability, performance and application speed.

Advantages

The MU Series is a fully adjustable range that can be adapted to any application need. It can be newly configured in a short period of time thanks to its simple design.

This includes the entire range of MSU or MDU long-life modules with STF, RA or STR bead nozzles.

These applicators keep the temperature stable up to the outlet of the module, allowing a uniform flow of adhesive over time.

Quick access to the internal elements by removing the side plates in order to simplify their maintenance and repair.

Features

- In single action (AOSC) and double action (AOAC) versions.
- Optional built-in filter for replacement without removing the hose.
- Designed with Pt100 and Ni120 technology for the temperature sensor.
- Shared or independent pneumatic control version for each module.

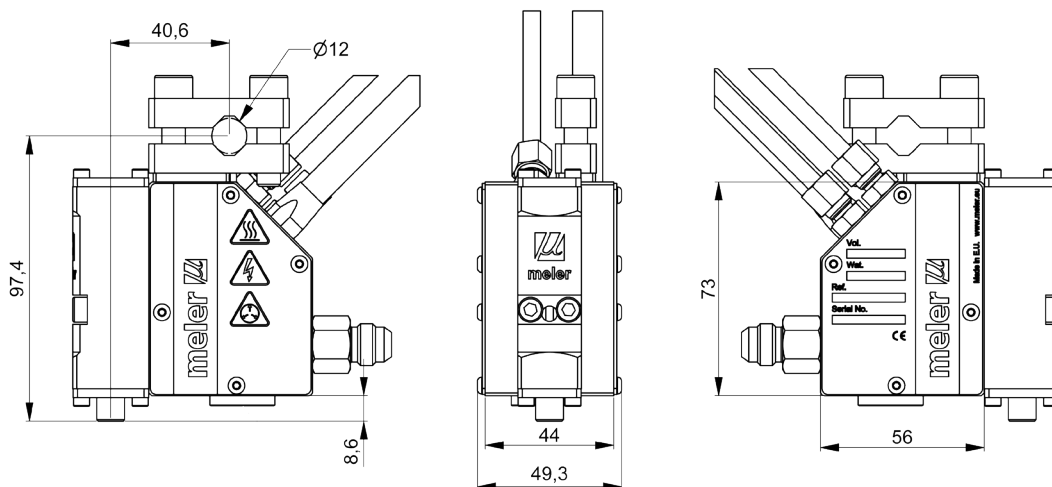
TECHNICAL FEATURES

Working temperature	up to 230°C (446°F)
Heating power	depending on the configuration used
Temperature control	RTD Ni120 or Pt100
Maximum working pressure	90 bar (1,305 psi)
Built-in filter in applicator	optional, 100 mesh (standard)
Maximum pneumatic pressure	6 bar; dry, clean and non-lubricated
Working speed (*)	up to 4,800 cycles/min
Power supply voltage	230 VAC, 50 Hz (from the melter unit)
Electrovalve voltage	24 VDC
Mounting flange	for Ø12 mm bar

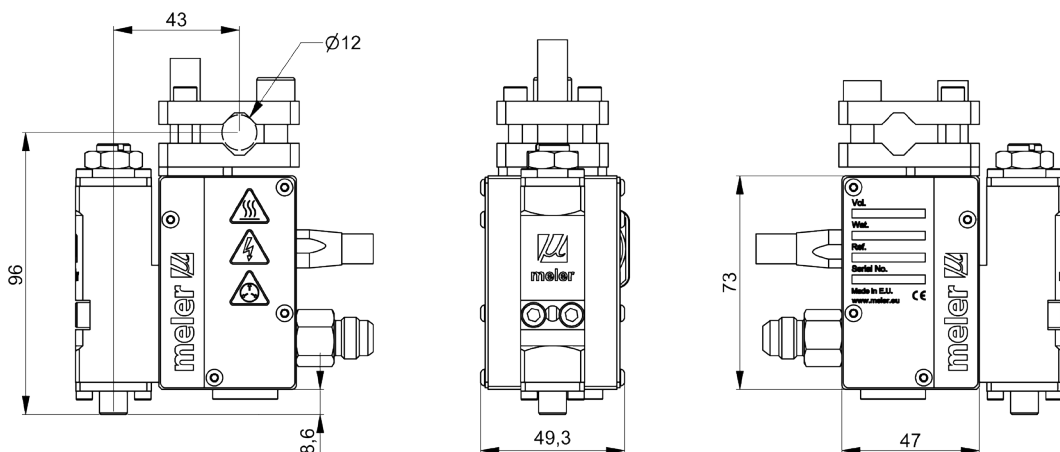
* Depends on the type of adhesive

DIMENSIONS

MU D1



MU S1



For more information speak with your Focke Meler representative:

meler 

Focke Meler Gluing Solutions, S.A.

Pol. Los Agustinos, c/G, nave D-43

E-31160 Orkoien - Navarra - Spain

Phone: +34 948 351 110

Fax: +34 948 351 130

info@meler.eu - www.meler.eu

A Focke Group Company

CE



Management System
ISO 9001:2008

www.tuv.com
ID: 9105030748